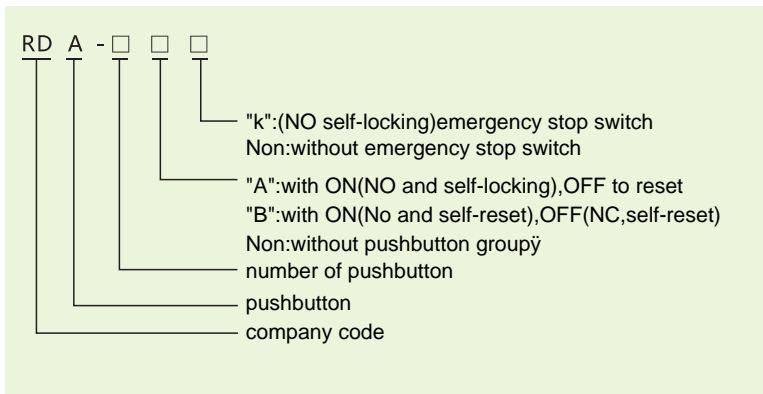


▶ Application

RDA series pushbutton is applicable for control system circuit of AC 50Hz or 60Hz,voltage up to 380V,DC operational voltage up to 220V.It also can be used at outdoor,rain and dusty environment.It can be used as crane, motor telecontrol.
The production conforms to standard of GB14048.5,IEC60947-5-1.

▶ Model No.



▶ Normal working condition and installation condition

- 3.1 Altitude: lower than 2000m.
- 3.2 Ambient temperature: no higher than +40°C, and no lower than -5°C, and day average temperature shall no more than +35°C.
- 3.3 Humidity: Relative humidity shall not exceed 50% at the Max temperature 40°C, and higher humidity could be accepted at lower temperature. The condensation must be taken care which is caused by temperature change.
- 3.4 Pollution class:III type
- 3.5 Installation level:II type
- 3.6 Installation location have no affect of obvious vibration and impact,rain and snow. It also have no corrosive gas and conductive dust.

▶ Main Technical data

Table1

rated operational voltage U _e (V)	rated operational current I _e (A)	Using type	mechanical life	electrical life
380	2.5	AC-15	instantaneous type 1million others-0.25million	emergency stop,self-locking button 50thousand others 0.5million
220	4.5			
220	0.3	DC-13		
110	0.6			

▶ Appearance and mounting dimensions

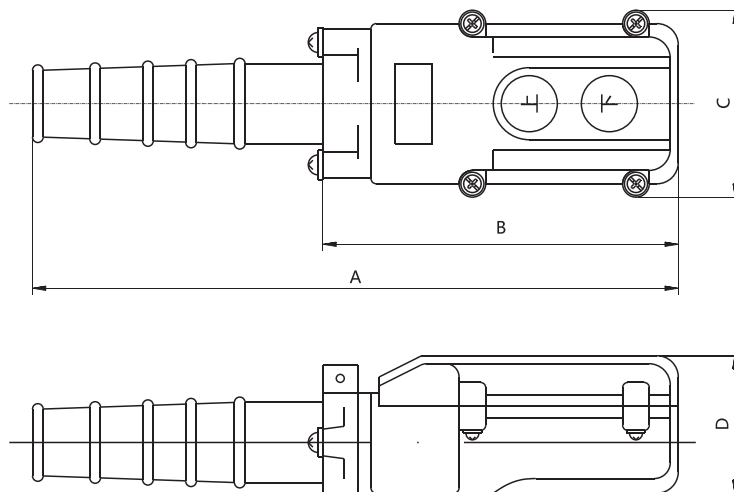


Fig1

Table2

Model No.	A	B	C	D	note
RDA-61	250	140	70	50	up/down
RDA-62	310	200	70	50	up/down,left/right
RDA-63	370	260	70	50	up/down,left/right,front/back
RDA-64	430	320	70	50	up/down,left/right,front/back,fast/slow
RDA-61A	310	200	70	50	on/off,up/down
RDA-62A	370	260	70	50	on/off,up/down,left/right
RDA-63A	430	320	70	50	on/off,up/down,left/right,front/back
RDA-64A	490	380	70	50	on/off,up/down,left/right,front/back,fast/slow
RDA-61B	310	200	70	50	on/off,up/down
RDA-62B	370	260	70	50	on/off,up/down,left/right
RDA-63B	430	320	70	50	on/off,up/down,left/right,front/back
RDA-64B	490	380	70	50	on/off,up/down,left/right,front/back,fast/slow
RDA-61K	275	165	70	50	emergency stop,up/down
RDA-62K	335	225	70	50	emergency stop,up/down,left/right
RDA-63K	395	285	70	50	emergency stop,up/down,left/right,front/back
RDA-64K	455	345	70	50	emergency stop,up/down,left/right,front/back,fast/slow

▶ Notice

Please note the model no.,specification ,quantity and special requirement in the order.